

**Color Controller E-820
(G940-12/13)**

Color Controller E-820 (G940-12/13)

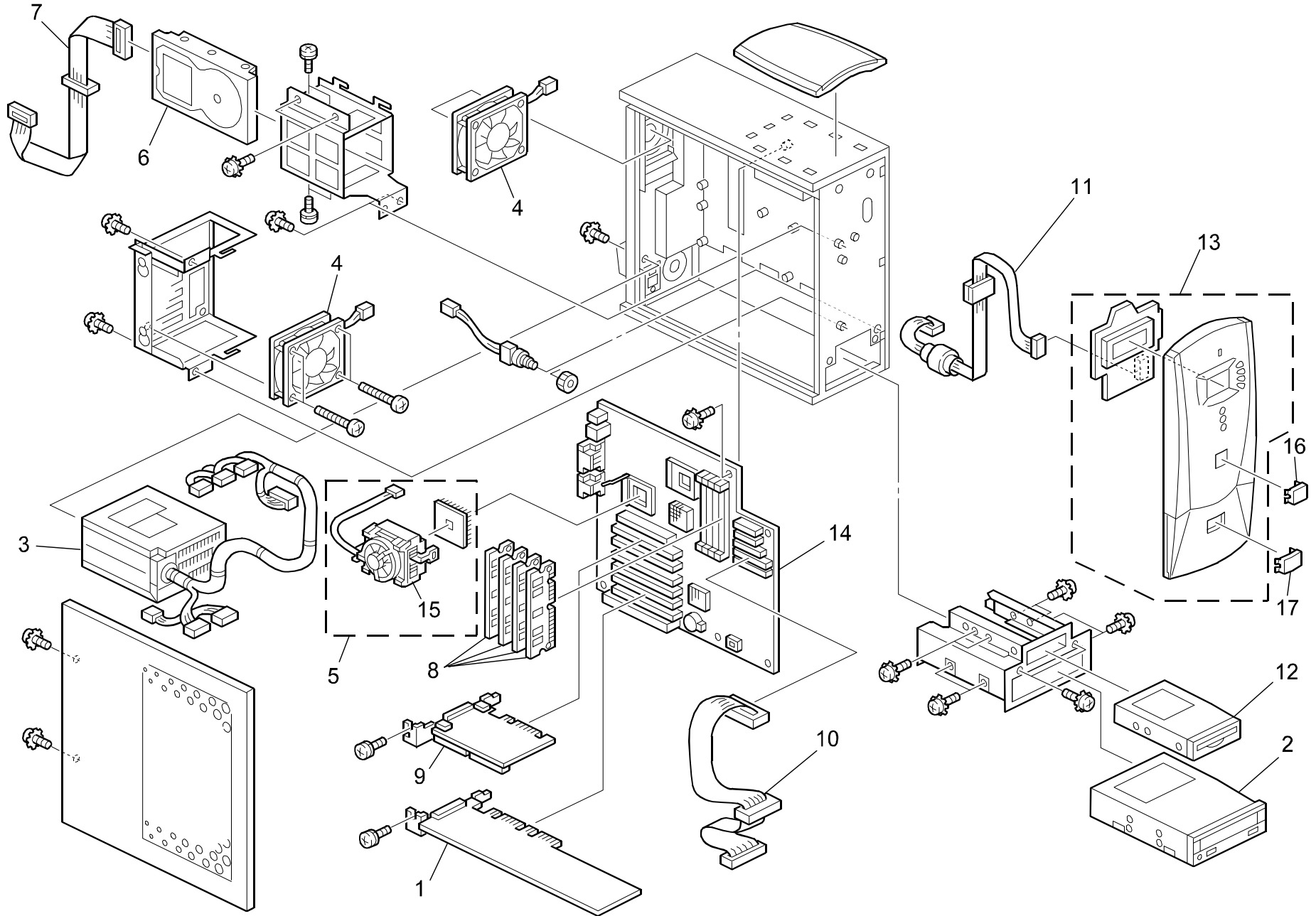
PARTS CATALOG

This catalog gives the numbers and names of parts on this machine.

1.Color Controller (G940-12/13).....	2
2.Cables & Documentations (G940-12/13)	4
3.Options (G940-07/G928-01).....	6
Parts Index	9

June ,21 ' 2002

1.Color Controller (G940-12/13)

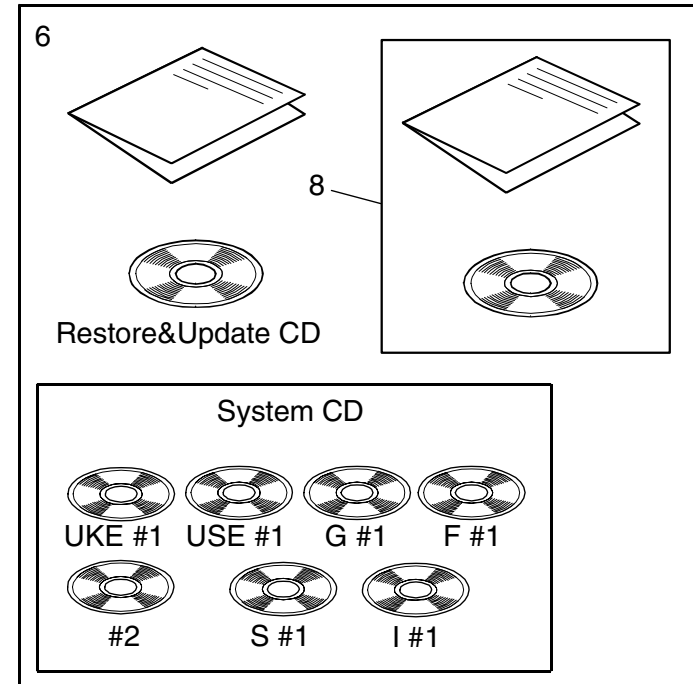
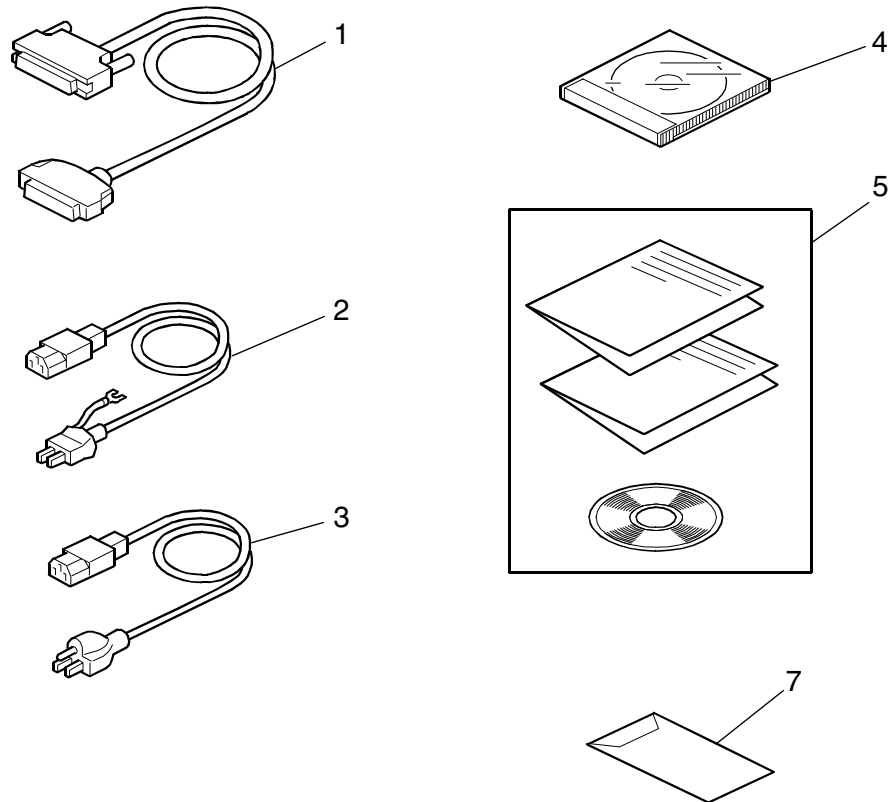


1.Color Controller (G940-12/13)

Index No.	Part No.	Description	Q'ty Per Assembly
1	G925 5007	Video Board	1
2	G925 5009	CD Drive	1
3	G925 5011	Power Supply	1
4	G925 5012	Chassis Fan	2
5	G940 6067	1GHz CPU With Fan	1
6	G940 5010	40GB IDE HDD	1
7	G940 5011	HDD IDE Cable	1
8	G940 5020	128MB DIMM	4
9	G940 5031	PCI Card ATA	1
10	G940 5034	IDE Cable For CD/ZIP	1
11	G940 5035	UIB Cable	1
12	G940 5053	ZIP 250MB Drive	1
13	G940 5136	Front Cover Ass'y	1
14	G940 5156	Mother Board	1
15	G940 9051	Fan For CPU	1
16	G940 5060	Fiery Jewel (20 pcs)	1
17	G940 6061	E-820 Jewel (20 pcs)	1

Index No.	Part No.	Description	Q'ty Per Assembly

2.Cables & Documentations (G940-12/13)

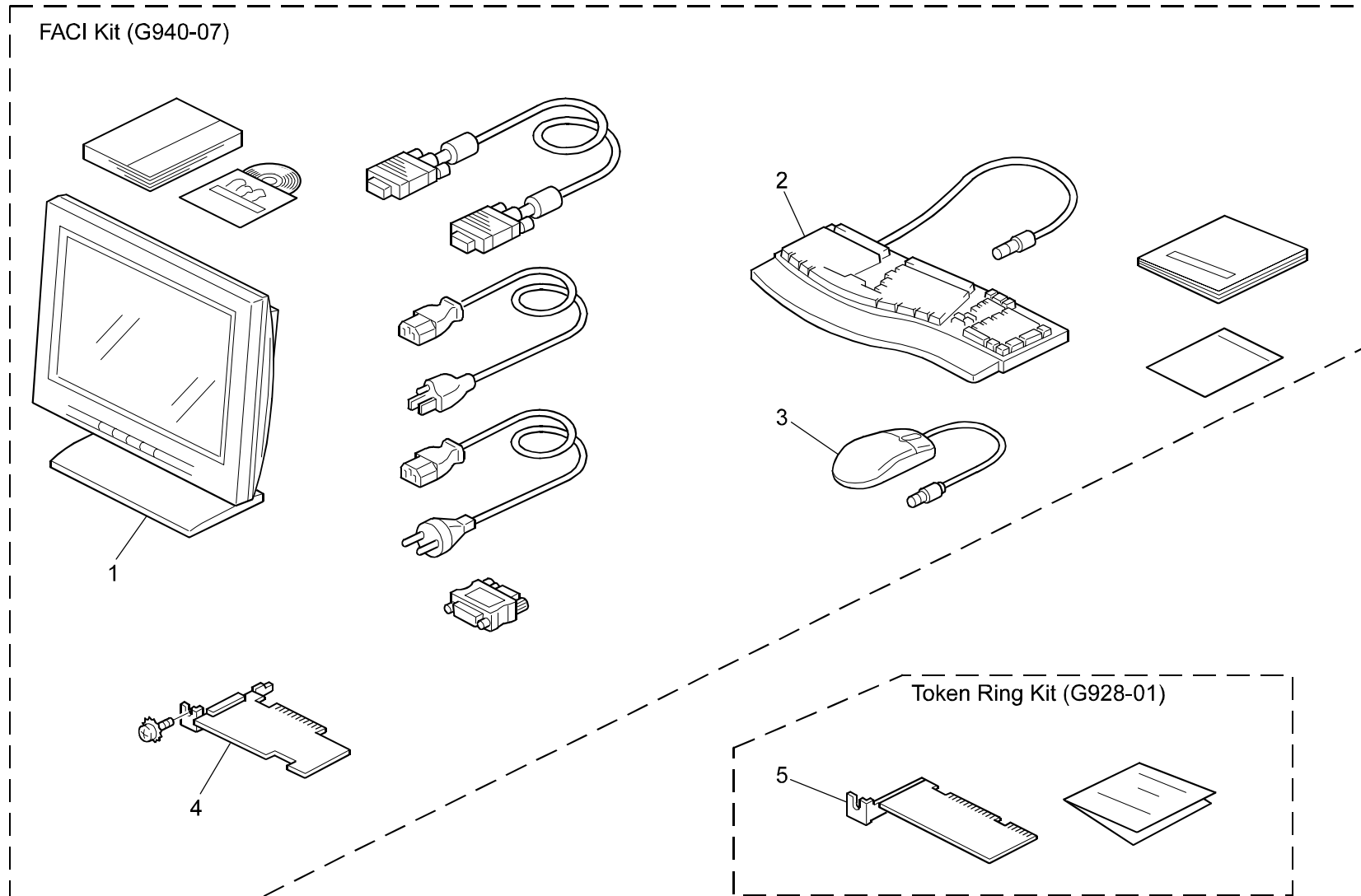


2.Cables & Documentations (G940-12/13)

Index No.	Part No.	Description	Q'ty Per Assembly
1	G925 5020	Copier I/F Cable	1
2	A747 5031	Power Supply Cord 115V	1
3	A747 5032	Power Supply Cord 230V	1
4	G940 5182	User Software CD	1
5	G940 5190	DOC Pack (English)	1
6	G940 9510	Service Kit	1
7	A747 5282	Grayscale Strip	1
8	G940 9520	Diagnostic Tool Kit	1

Index No.	Part No.	Description	Q'ty Per Assembly

3.Options (G940-07/G928-01)



3.Options (G940-07/G928-01)

Index No.	Part No.	Description	Q'ty Per Assembly
1	G925 1002	FACI, Keyboard	1
2	G925 1003	FACI, 15" Flat Panel Monitor	1
3	G925 1001	FACI, Mouse	1
4	G940 0621	AGP Video Board	1
5	G925 5906	Token Ring Card	1

Index No.	Part No.	Description	Q'ty Per Assembly
-----------	----------	-------------	-------------------

Parts Index

Parts Index

Part No.	Description	Page and Index No.
G940 0621	AGP Video Board	7 - 4
G940 5010	40GB IDE HDD	3 - 6
G940 5011	HDD IDE Cable	3 - 7
G940 5020	128MB DIMM	3 - 8
G940 5031	PCI Card ATA	3 - 9
G940 5034	IDE Cable For CD/ZIP	3 - 10
G940 5035	UIB Cable	3 - 11
G940 5053	ZIP 250MB Drive	3 - 12
G940 5060	Fiery Jewel (20 pcs)	3 - 16
G940 5136	Front Cover Ass'y	3 - 13
G940 5156	Mother Board	3 - 14
G940 5182	User Software CD	5 - 4
G940 5190	DOC Pack (English)	5 - 5
G940 6061	E-820 Jewel (20 pcs)	3 - 17
G940 6067	1GHz CPU With Fan	3 - 5
G940 9051	Fan For CPU	3 - 15
G940 9510	Service Kit	5 - 6
G940 9520	Diagnostic Tool Kit	5 - 8

Part No.	Description	Page and Index No.
A747 5031	Power Supply Cord 115V	5 - 2
A747 5032	Power Supply Cord 230V	5 - 3
A747 5282	Grayscale Strip	5 - 7
G925 1001	FACI, Mouse	7 - 3
G925 1002	FACI, Keyboard	7 - 1
G925 1003	FACI, 15" Flat Panel Monitor	7 - 2
G925 5007	Video Board	3 - 1
G925 5009	CD Drive	3 - 2
G925 5011	Power Supply	3 - 3
G925 5012	Chassis Fan	3 - 4
G925 5020	Copier I/F Cable	5 - 1
G925 5906	Token Ring Card	7 - 5